

1.0/2.3 Connectors to DIN 47297

These 50 ohm coaxial connectors are manufactured to the highest specification. Their outstanding electrical and mechanical properties ensure exceptional reliability even in demanding environments. They are particularly suitable for telecommunication applications, especially where space is at a premium and high wiring densities are required.

Specification

Materials

Housing components	Brass
Spring contacts	Beryllium
Insulated parts	Teflon

Electrical & Mechanical data

Impedance	$Z_w = 50$ Ohms
Max. operating frequency	1 - 30 GHz

Contact resistance

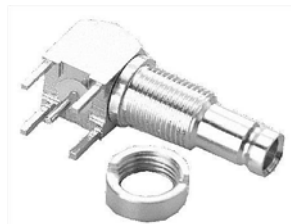
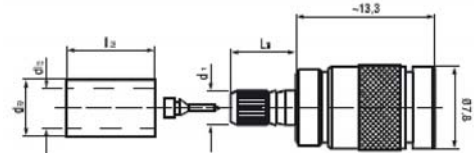
Inner conductor	$\leq 6$ m Ohms
Outer conductor	$\leq 3$ m Ohms
Insulation resistance	$\geq 10^6$ m Ohms
Test voltage	750V 50 Hz

Reflection factor (VSWR)

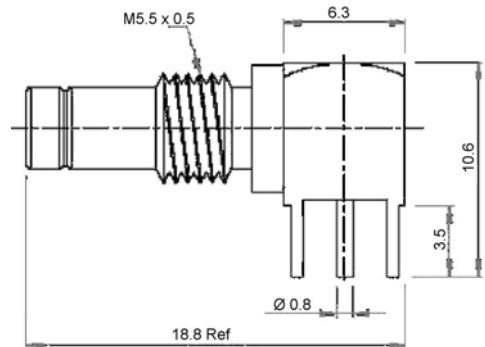
$Z_w = 50$ Ohms	
up to 1 GHz	$\leq 5\%$
1-4 GHz	$\leq 7\%$
4-8 GHz	$\leq 10\%$
$Z_w = 75$ Ohms	
up to 100 MHz	$\leq 4\%$
100-200 MHz	$\leq 7\%$
200-300 MHz	$\leq 10\%$
Temperature range	-55 C to +125°C



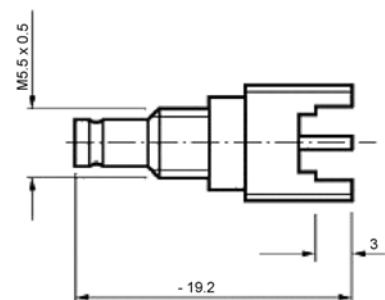
- 1.0/2.3 Straight push pull crimp cable **Plug**  
Unique number 8000  
[Crimp Table](#)  
[Ordering Code](#)



- 1.0/2.3 90° **Socket** PCB mounted  
Unique number 8001  
[Ordering Code](#)

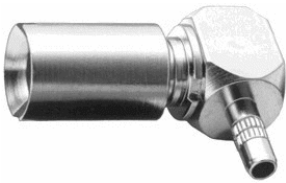
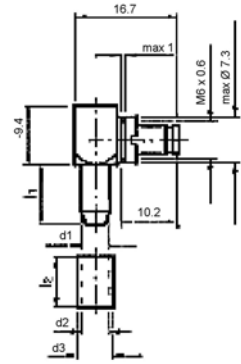


- 1.0/2.3 straight long **Socket** PCB mounted  
Unique number 8002  
[Ordering Code](#)

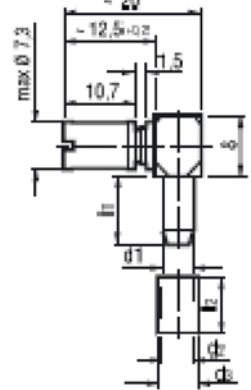




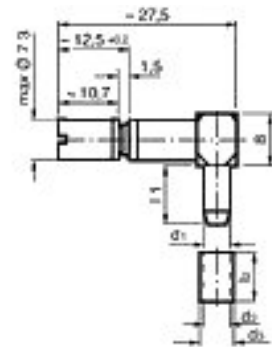
- 1.0/2.3 90° crimp cable **Socket**  
Unique number 8003  
[Crimp Table](#)  
[Ordering Code](#)



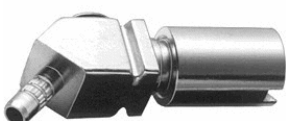
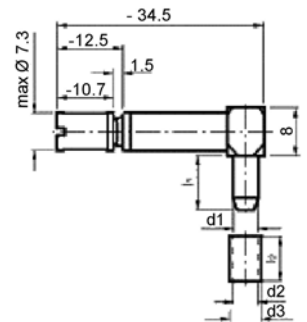
- 1.0/2.3 90° short crimp cable **Plug**  
Unique number 8004  
[Crimp Table](#)  
[Ordering Code](#)



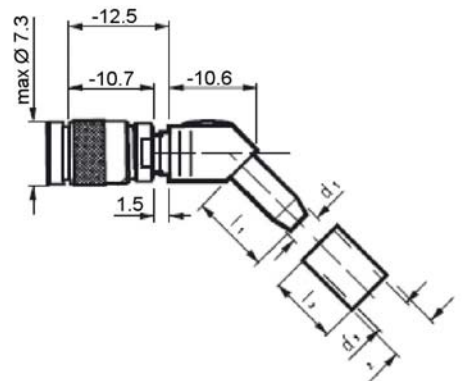
- 1.0/2.3 90° medium crimp cable **Plug**  
Unique number 8005  
[Crimp Table](#)  
[Ordering Code](#)



- 1.0/2.3 90° long crimp cable **Plug**  
Unique number 8006  
[Crimp Table](#)  
[Ordering Code](#)

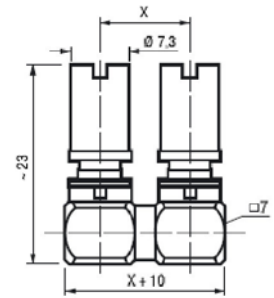


- 1.0/2.3 45° crimp cable **Plug**  
Unique number 8007  
[Crimp Table](#)  
[Ordering Code](#)





- 1.0/2.3 U-Link **Plug**  
Unique number 8008  
[Ordering Code](#)



- 1.0/2.3 U-Link **Socket** with  
monitor plug  
Unique number 8009  
[Ordering Code](#)

