

**Precision 1.0/2.3 connectors for 3G SDI Broadcast Applications  
Top Entry PCB mounting**

**Features**

- Meets SMPTE 424M Standard
- 8mm pitch can double wiring densities
- Latching style provides added connection reliability



C-SX-097G



**General Description**

1.0/2.3 female straight top entry precision 3G PCB edge mounting low profile connector.

**Applications**

In addition to SDI, HDI and 3G-SDI digital broadcast use, this straight top entry 1.0/2.3 connector is ideal for industrial process control, data acquisition and high speed communication applications where high wiring densities are crucial.

**Specification -**

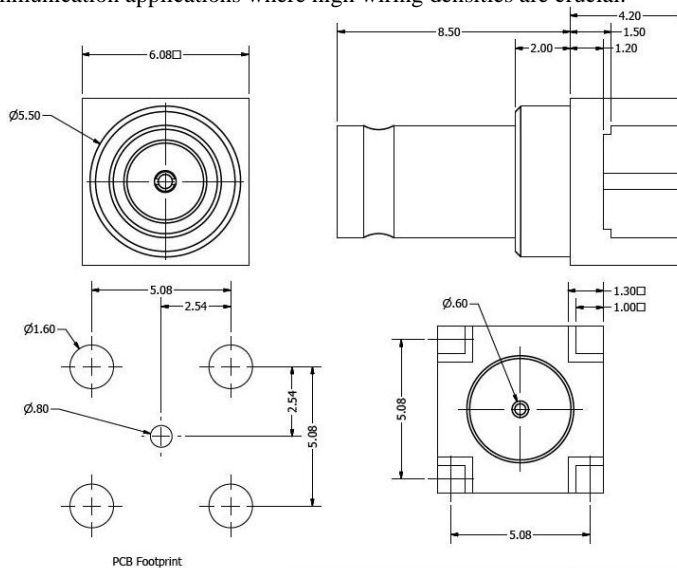
**Electrical**

Nominal Impedance 75 Ohm  
 Frequency Range 0 - 3.0 GHz  
 Working Voltage 250Vrms  
 Dielectric Withstanding Voltage 750Vrms

**Reflection Factor (VSWR)**

DC—1.5GHz 1.03 (Max)  
 1.5—3.0GHz 1.06 (Max)

Contact Resistance Centre Contact 4.0 m ohm  
 Insulation Resistance > 1000 meg ohm



PCB Footprint

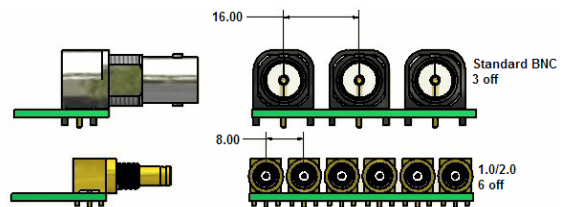


**Materials**

Centre Pin BeCu / 10u" Au  
 Body finish Standard — Brass/Au  
 Insulators PTFE

**Environmental**

Temperature Range - 65 to +85° C  
 Mating Cycles 500



Comparison between BNC and 1.0/2.3 connectors

