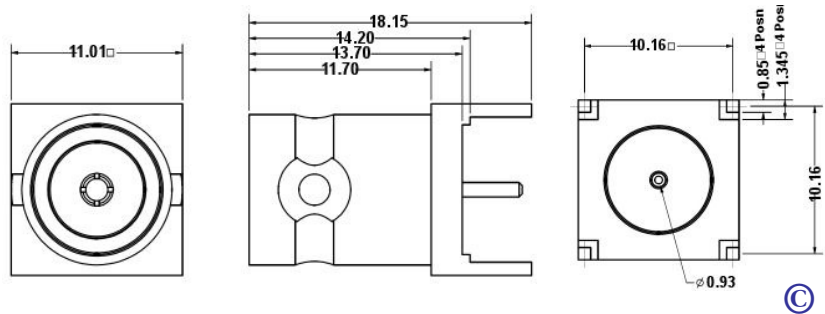


## Precision 75 Ohm BNC connectors for HDTV Broadcast Applications

## Top Entry PCB Mounting Square Base Features

- Precision 75 Ohm BNC Connector
- Designed for HD SDV applications
- RoHS Compliant
- Precision 75 ohm BNC patch leads also available



## General Description

Straight PCB mounting Precision 75 ohm female BNC connector with square base. Although superficially similar to standard 75 ohm BNC products, enhanced internal geometry and the use of specialised materials produces a product with Precision 75 ohm performance.

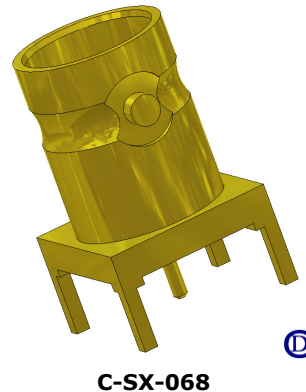
## Applications

It is specifically designed for the broadcast industry for use in HDTV, Serial Video applications where accurate 75 ohm connectivity is necessary.

## Specification

## Electrical

Impedance	75 Ohm
Frequency Range	0 – 3.0 GHz
Working Voltage	500 V <sub>rms</sub>
Dielectric Withstanding Voltage	1500 V <sub>rms</sub>
Reflection Factor (VSWR)	1.08 <sup>(Max)</sup> DC-1.5GHz 1.16 <sup>(Max)</sup> 1.5GHz-3.0GHz
Contact Resistance	Centre contact 1.5 m ohm Outer contact 1.0 m ohm
Insulation Resistance	> 5000 Meg Ohm
*Materials	
Centre Pin - female	Phosphor Bronze/10µ " Au
Centre Pin - male	Brass
Metal Parts	Brass / Nickel
Insulators	Teflon®



\* Other materials such as Gold Plating (as illustrated) are available to customer requirement..

## Cable terminated Precision 75 ohm BNC connectors and patch leads

To complement these products Cambridge Connectors also produces Precision 75 ohm BNC connectors for a variety of cable types and patch leads in either standard length or built to customer specification.

For more details contact our applications engineers on.

Tel: 01223 860041

Fax: 01223 863625

Email: [technical@cambridgeconnectors.com](mailto:technical@cambridgeconnectors.com)

Web site [www.cambridgeconnectors.com](http://www.cambridgeconnectors.com)

© All Connectors Design Right Protected

